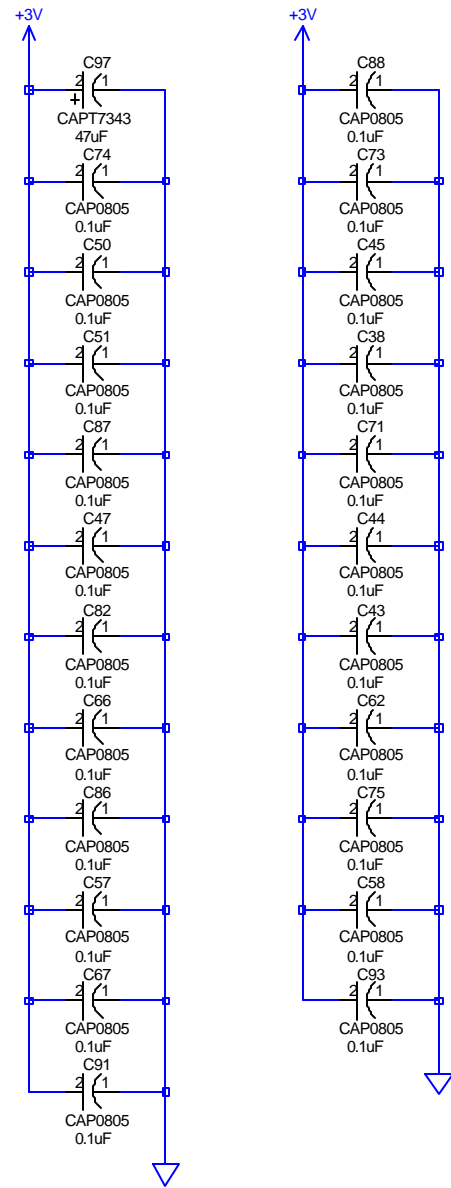
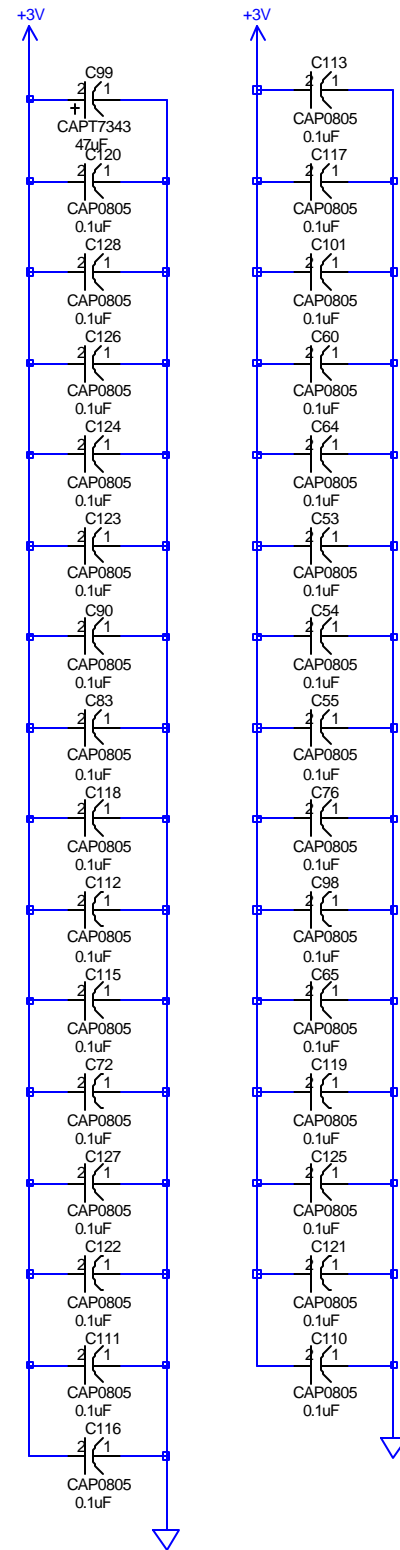


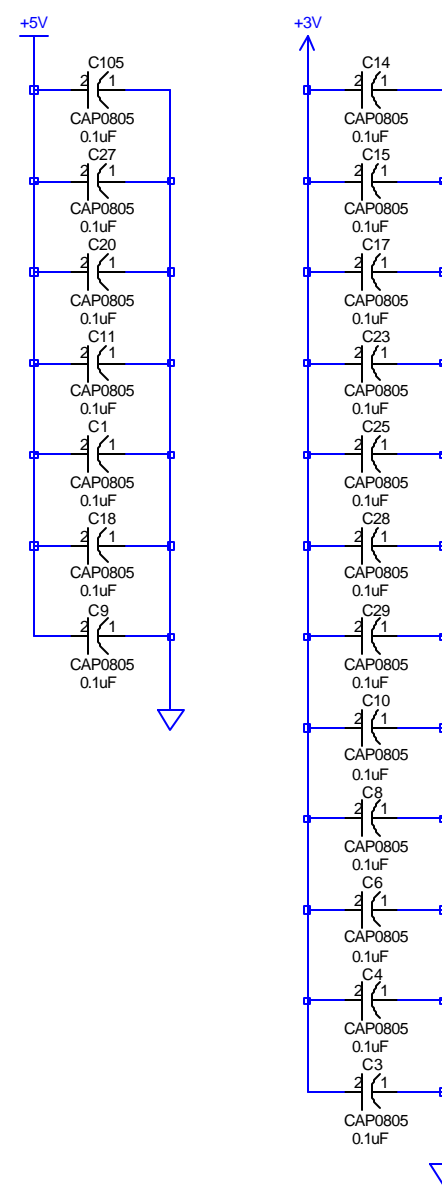
IC DECOUPLING



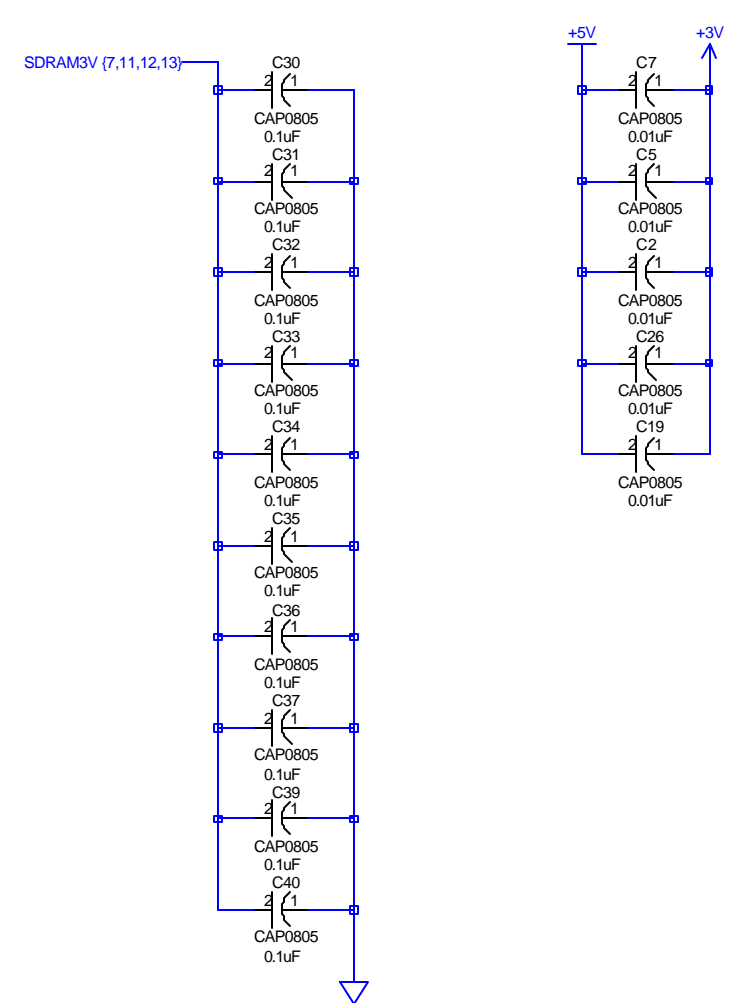
GC80303 DECOUPLING



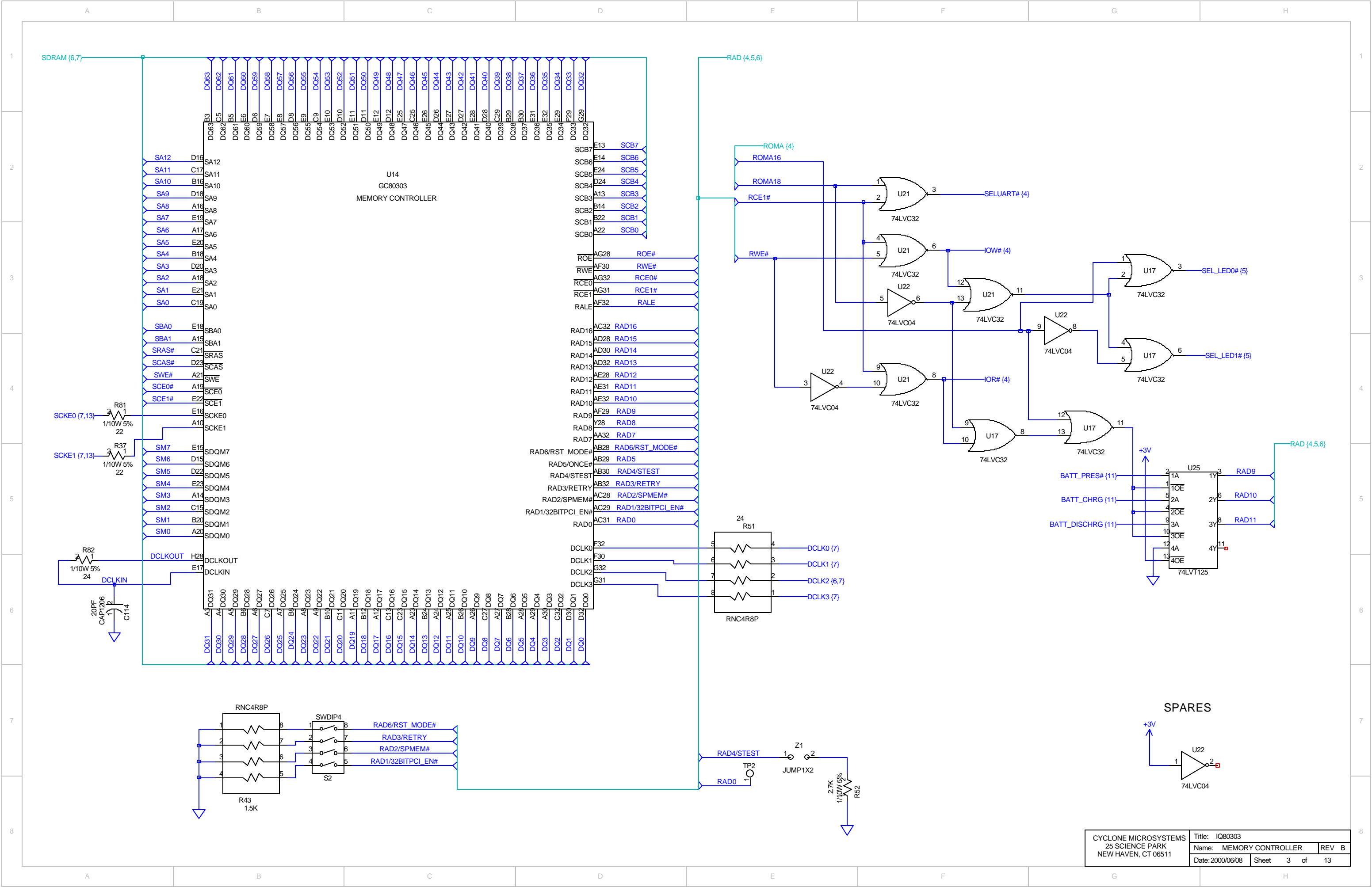
SPCI DECOUPLING

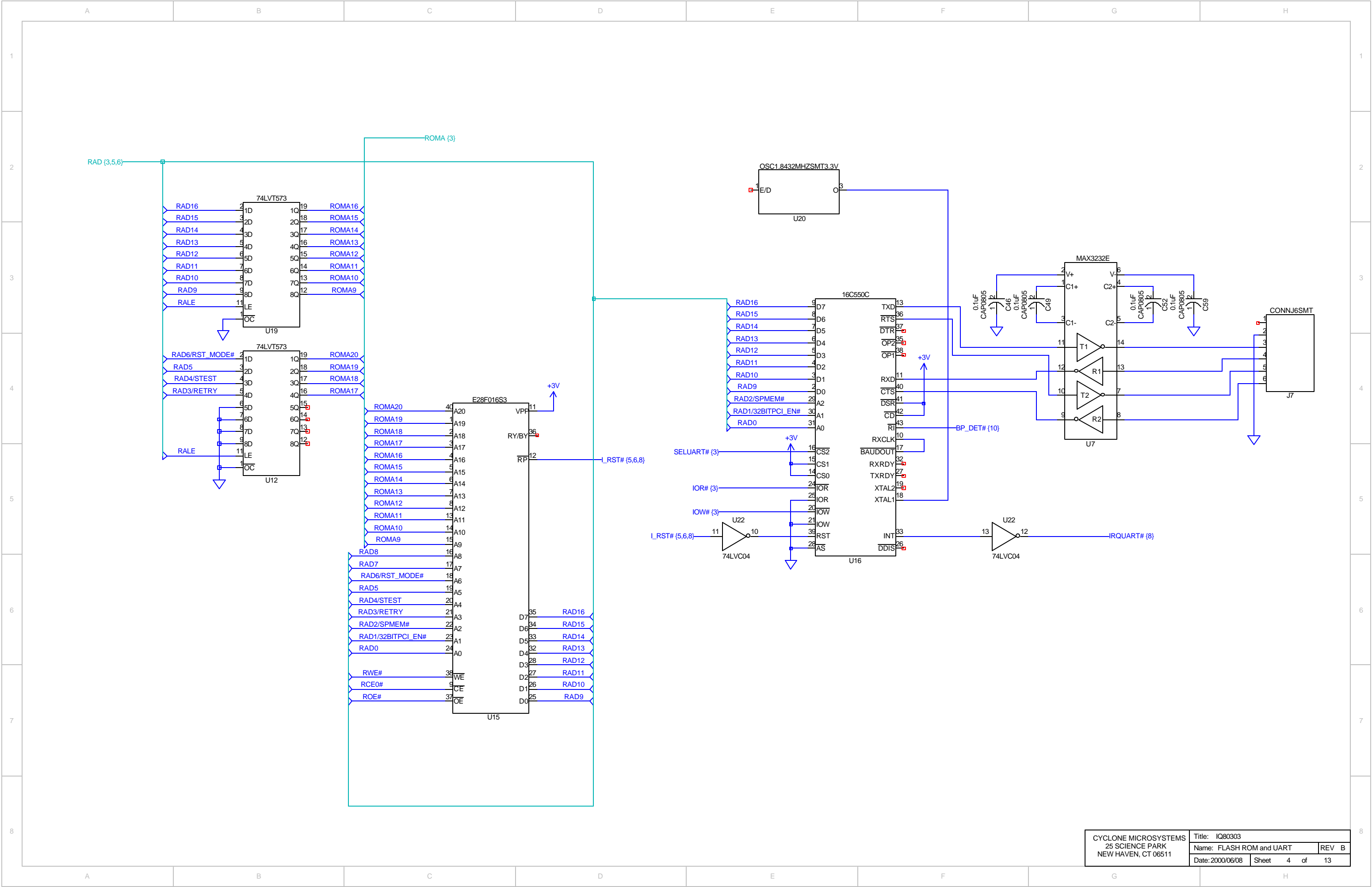


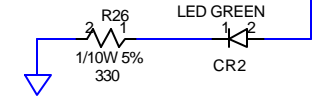
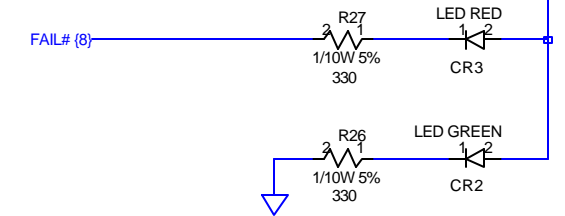
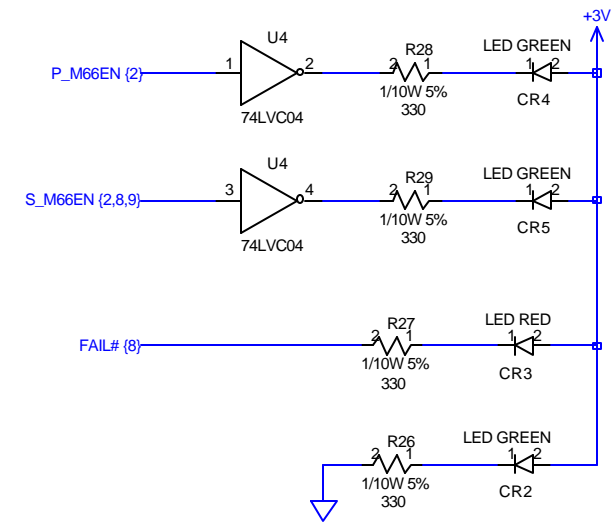
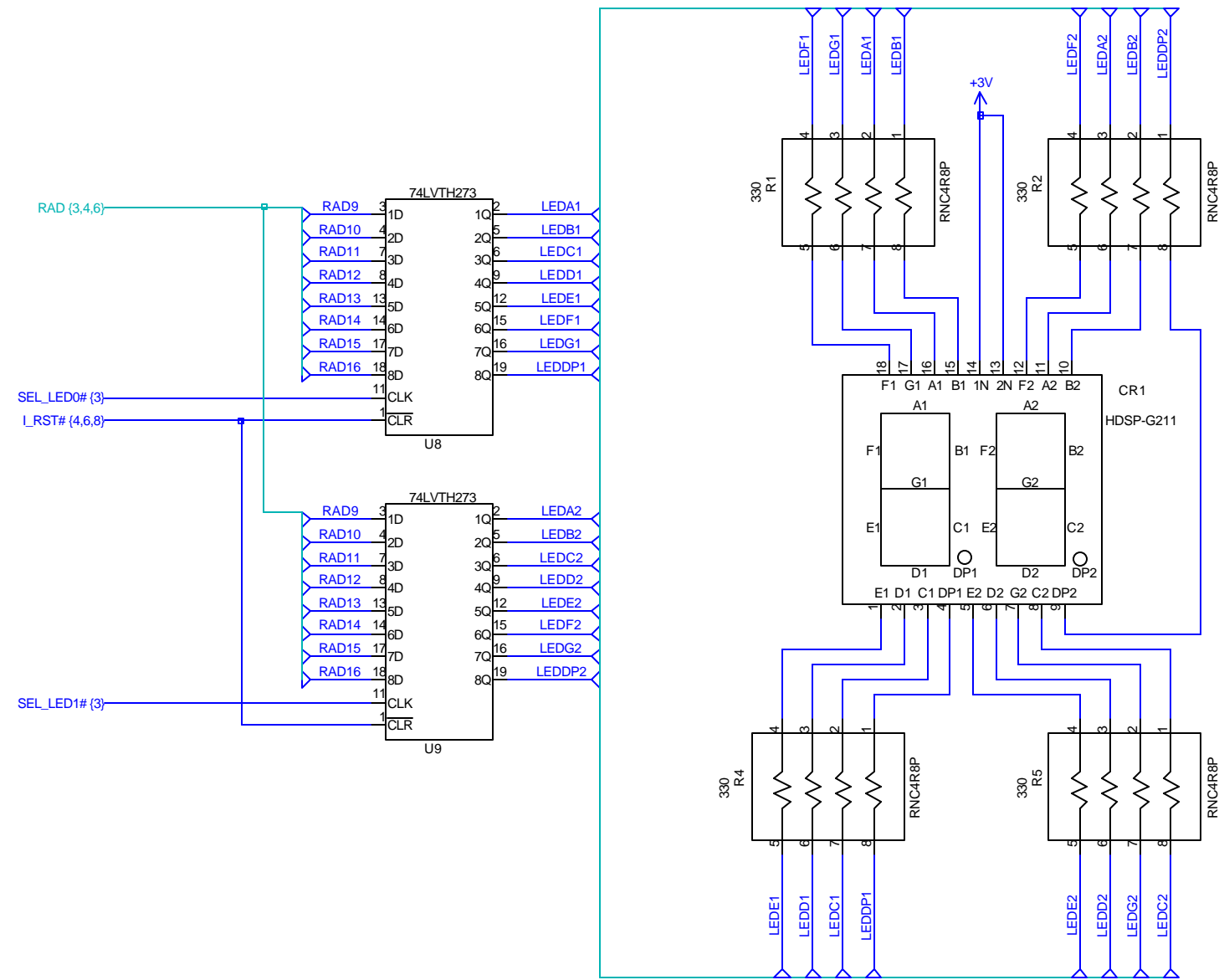
SDRAM DECOUPLING



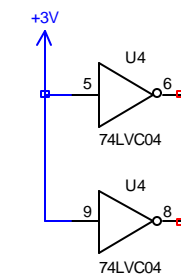
TP1

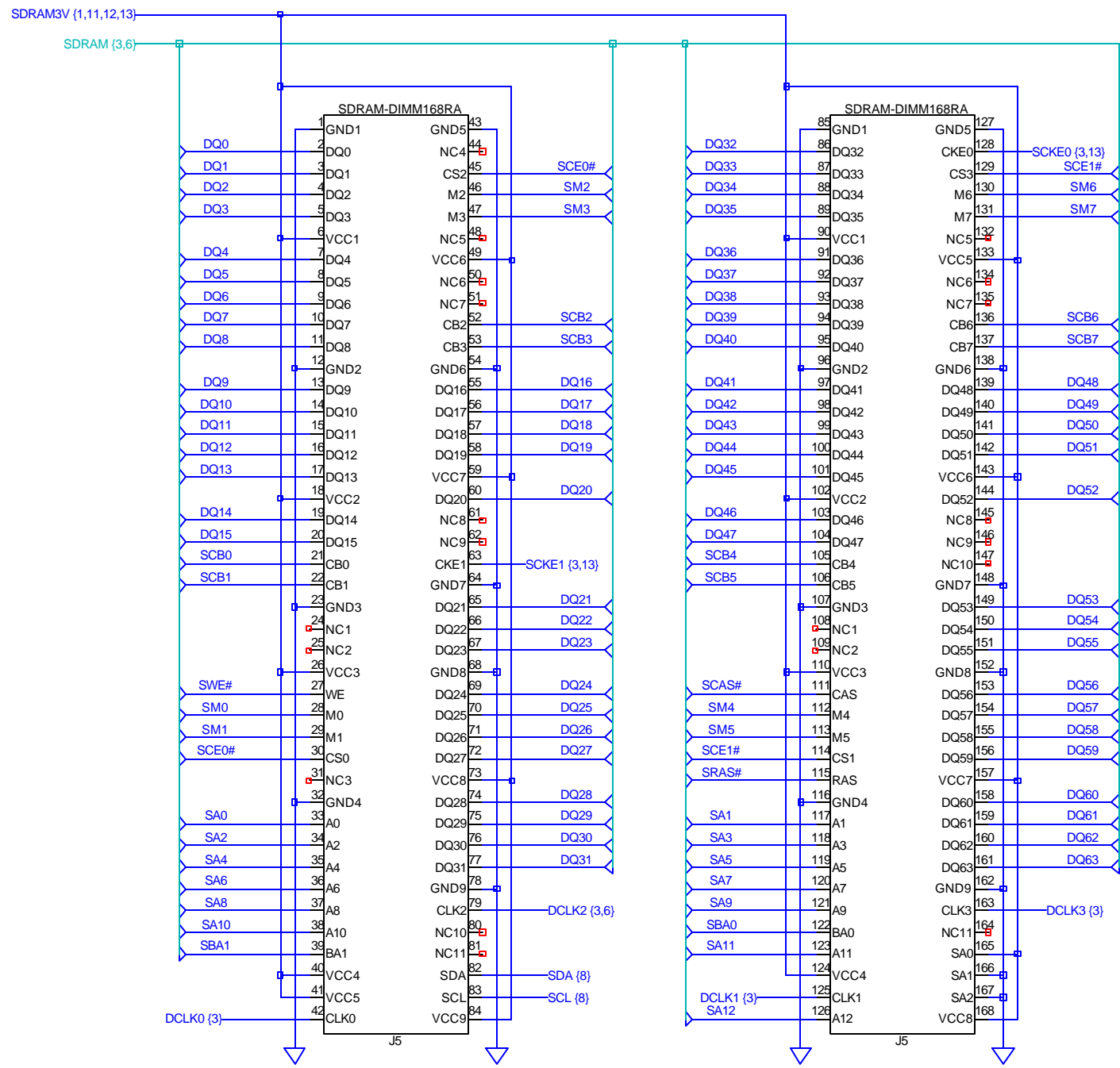


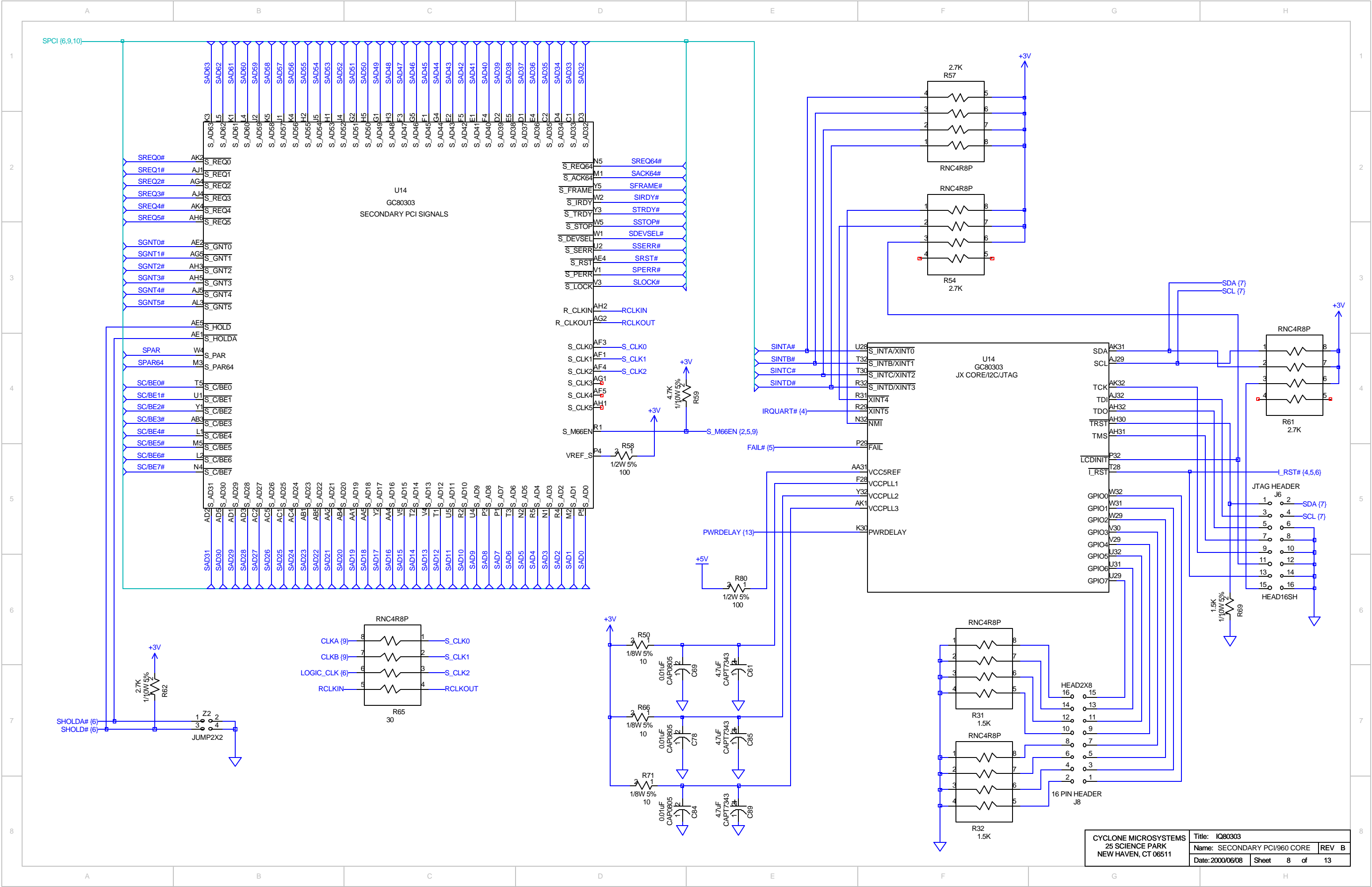


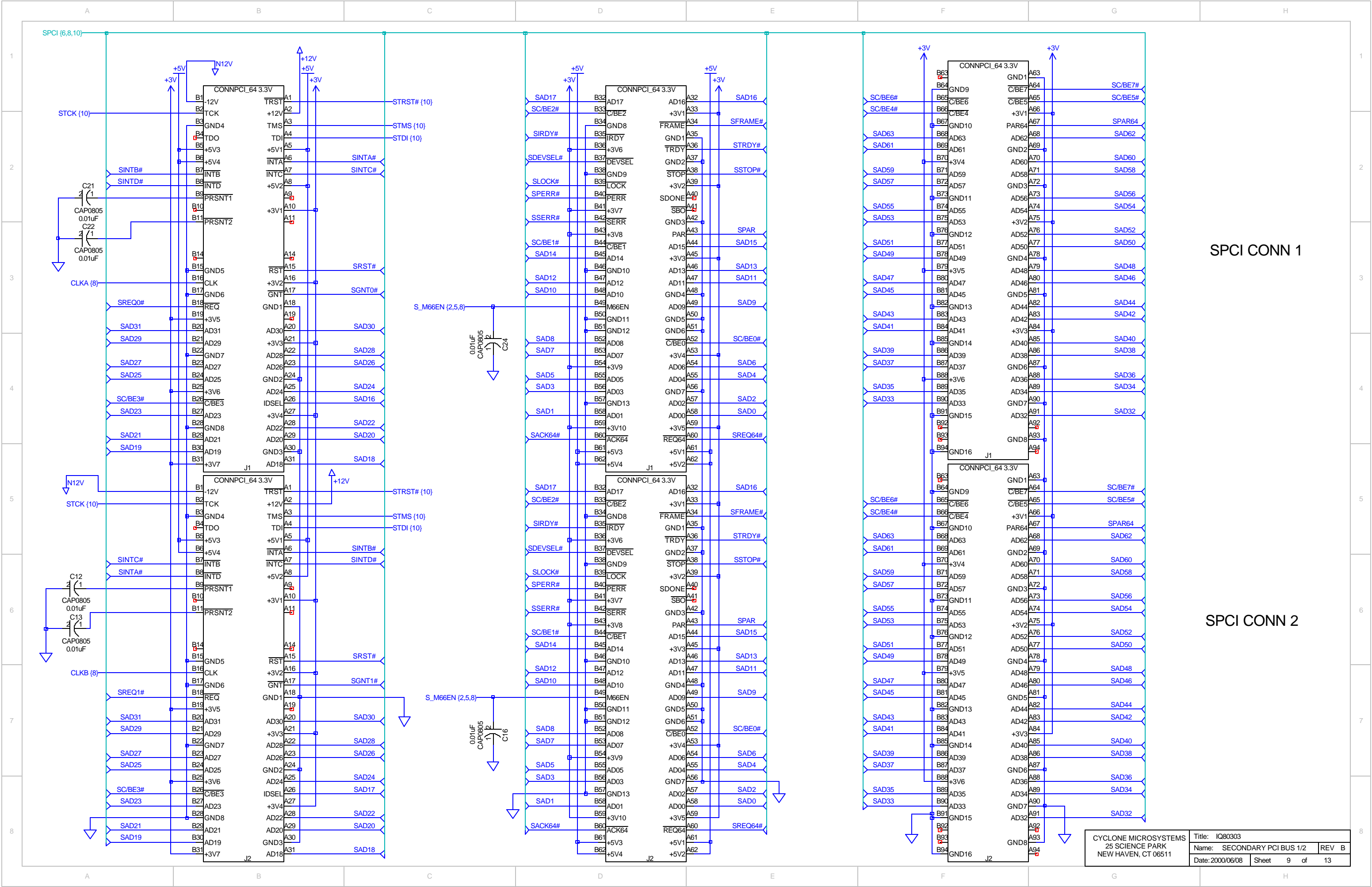


SPARES



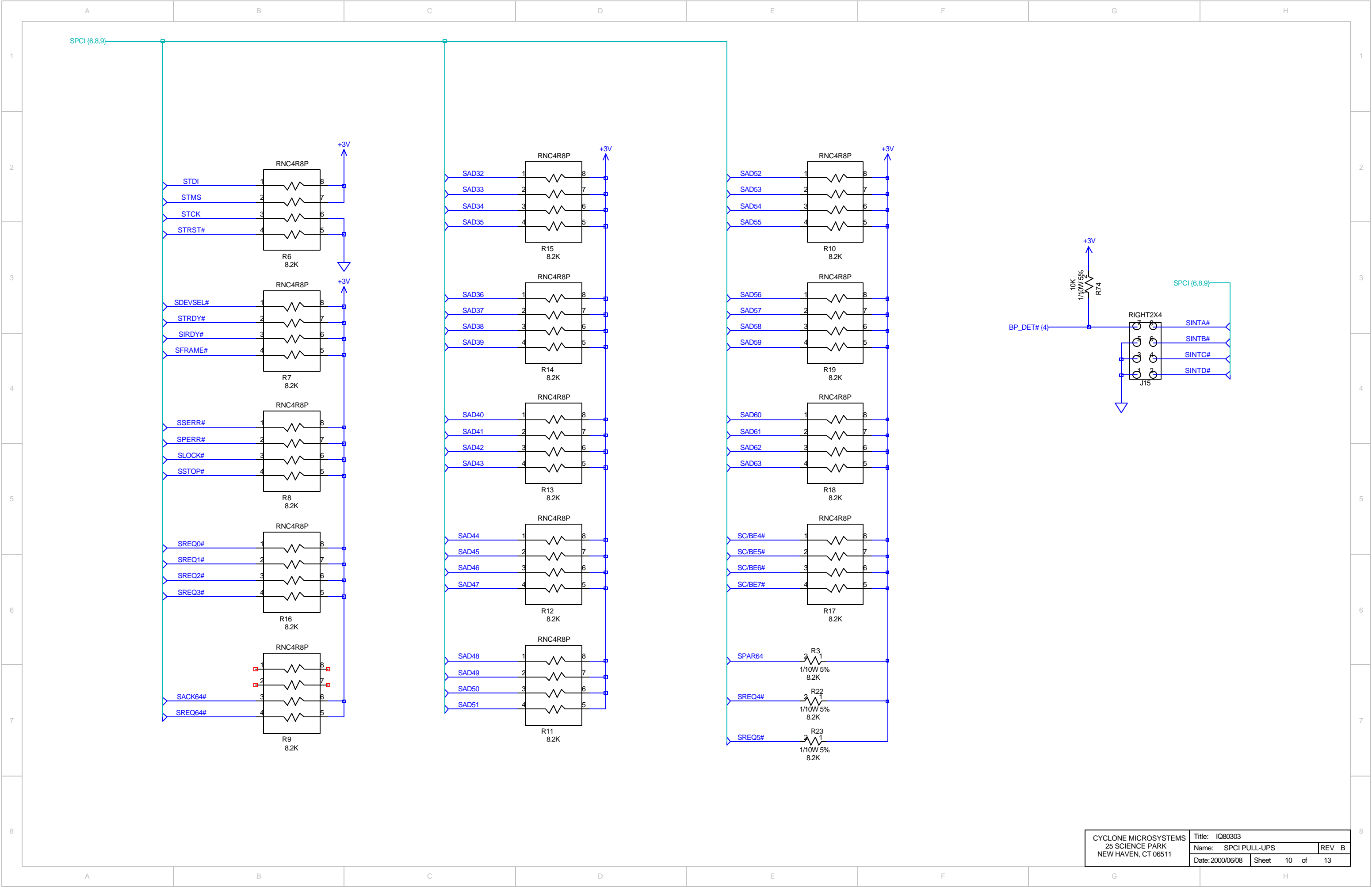


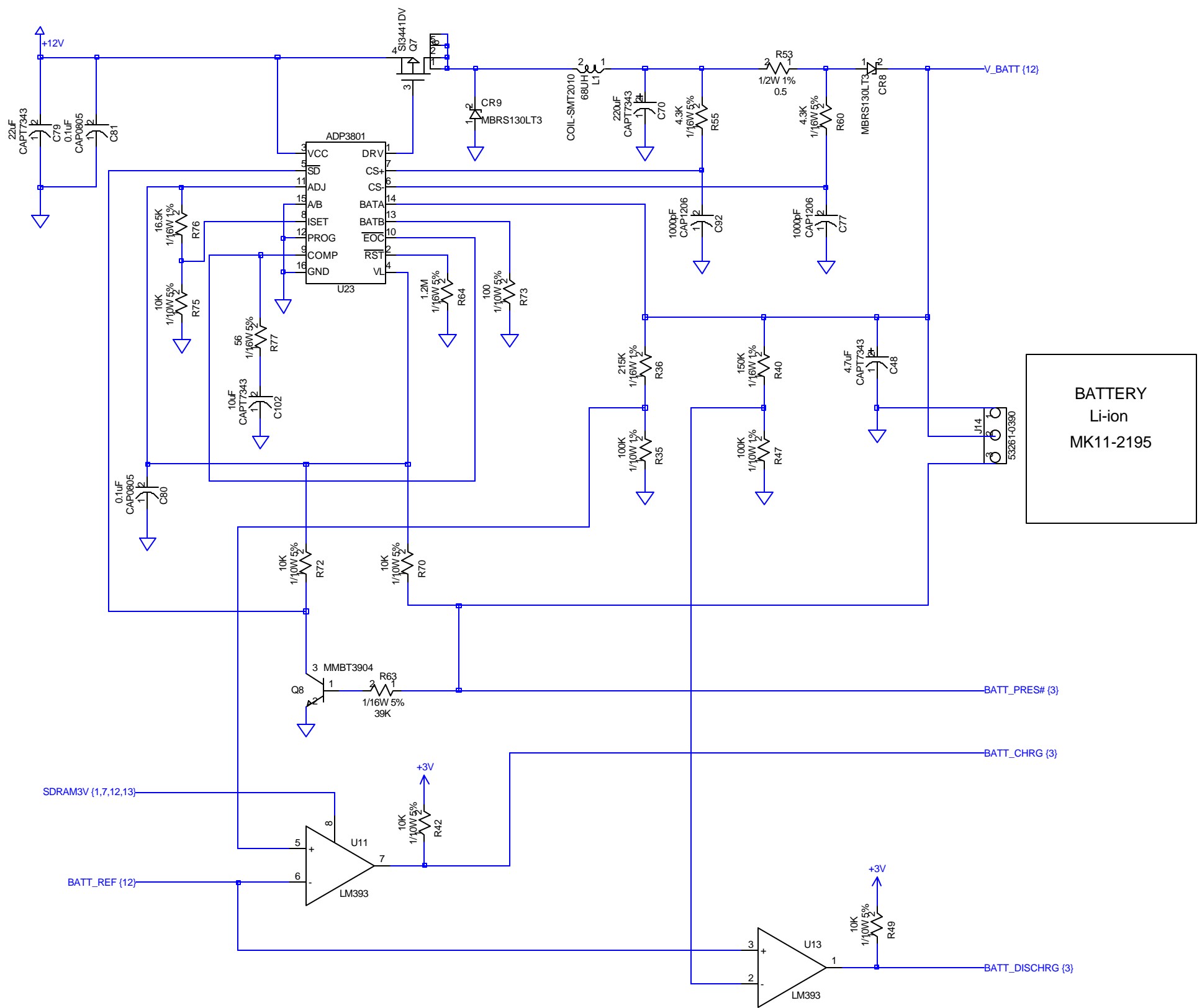




SPCI CONN 1

SPCI CONN 2





BATTERY
Li-ion
MK11-2195

SPARES

